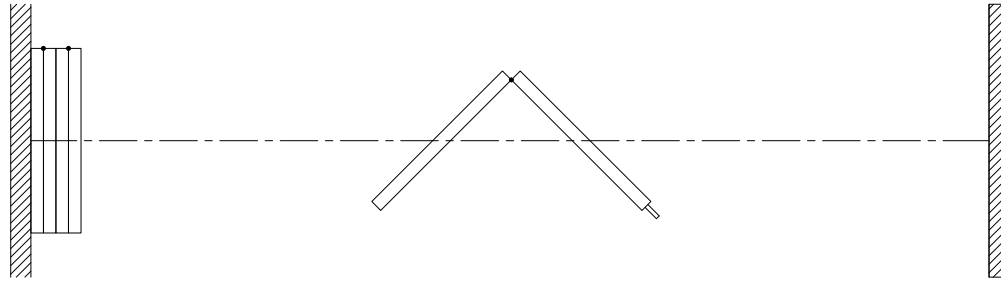


Technical Data Sheet Excel 732



Features & Options

Standard Features

- Manually-operated paired-panel movable partition.
- STC 48 or 52.
- Steel faces laminated to gypsum board.
- 85 mm [3 3/8"] nominal thickness. 1230 mm [48 1/2"] maximum width.
- 16 ga. welded steel frame.
- Trimless vertical edges.
- Clear anodized horizontal mouldings and bottom seal.
- Combination aluminum and vinyl tongue and groove vertical sound seals between panels.
- Final closure by telescopic jamb.
- Type FA horizontal seals :
 - Fixed top sweeps
 - Automatic retractable bottom seals set as panels are deployed
 - bottom seals provide a 50 mm [2"] floor clearance
- Low profile steel hinges.
- Each panel supported by one carrier made up of four vertically-aligned precision-ground hardened steel ball bearing wheels with nylon tires.
- Clear anodized 6063-T6 alloy aluminum track.
- Vinyl wallcovering.
- Maximum height: 6780 mm [22'-3"].

Optional Features and Accessories

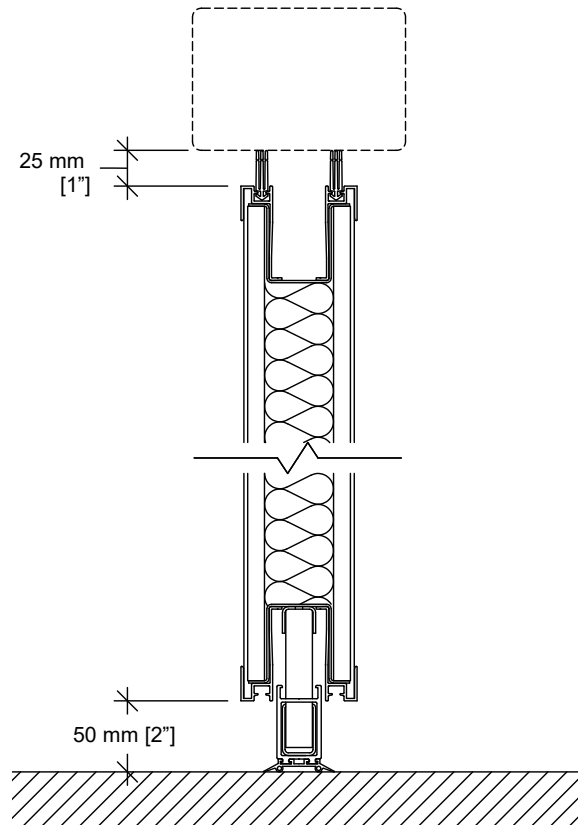
- Powder-coated frame and/or track.
- 11 ga. steel track, painted white.
- Upgraded wallcoverings : fabric or full-height marker board.
- Owner-supplied wallcovering (approval required).
- Final closure by hinged closure panel.
- Inset white marker boards (with no vertical trims).
- Eraser boxes.
- Acoustical or non-acoustical pocket door.

Optional Features and Accessories (cont'd)

- ADA-compliant pass door with flush pulls and roller latch.
- Door options:
 - concealed automatic closer
 - window frame
 - door viewer
 - panic bar
 - panic bar with lockable lever
 - self-luminous "Running Man" exit sign with green faceplate (standard outside USA, optional in USA) *
 - photoluminescent "EXIT" sign with red faceplate (standard in USA, optional elsewhere) *
 - photoluminescent "EXIT" sign with green faceplate (optional) *
 - self-luminous "EXIT" sign with red faceplate (optional) *
 - self-luminous "EXIT" sign with green faceplate (optional) *
 - deadbolt lock *

** An exit sign and a deadbolt lock will not be installed together on the same door.*

Horizontal Seals



Type FA

Floor clearance : 50 mm [2"]

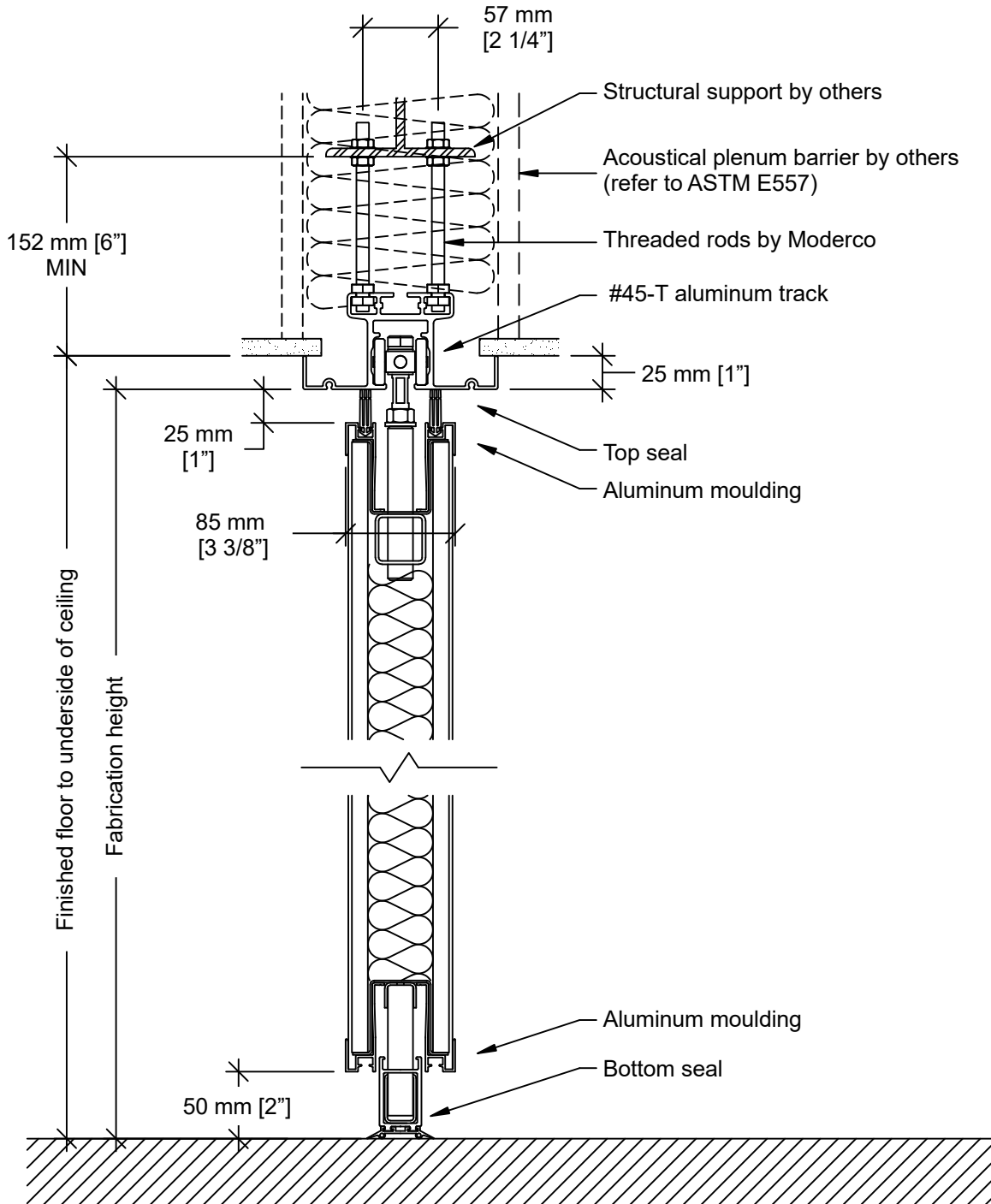
Operating tolerances :

+0 mm / -38 mm [+0" / -1 1/2"]

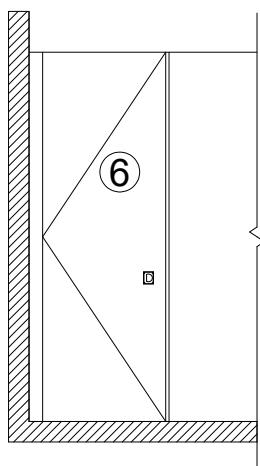
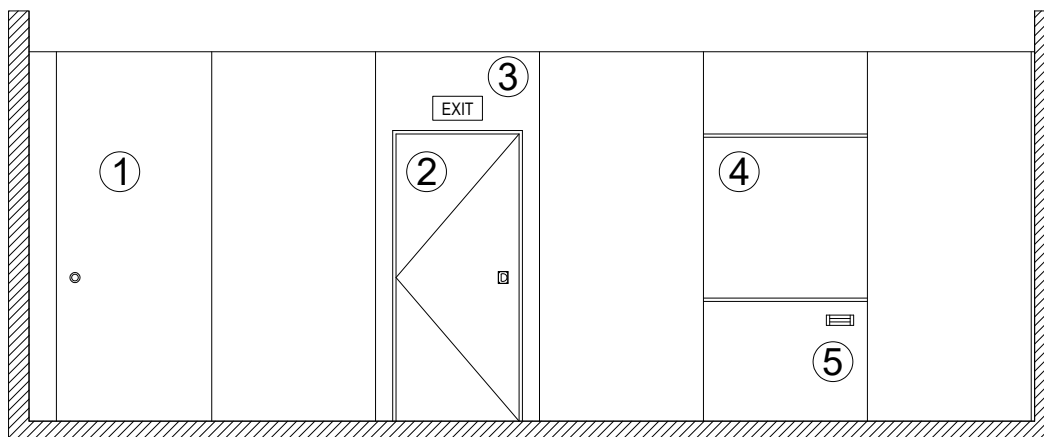


MODERCO

Vertical Section

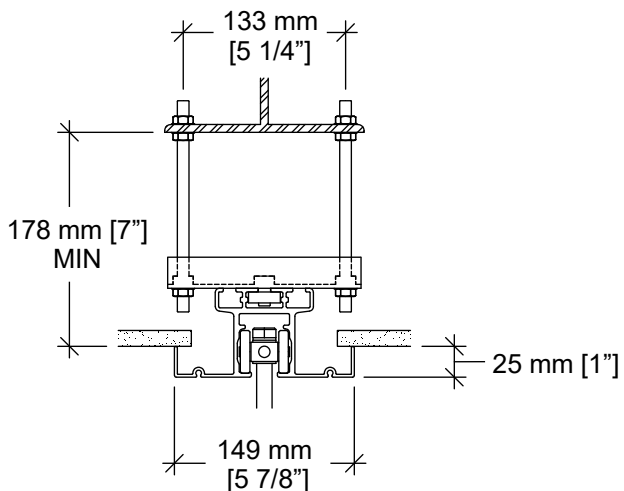


Elevation



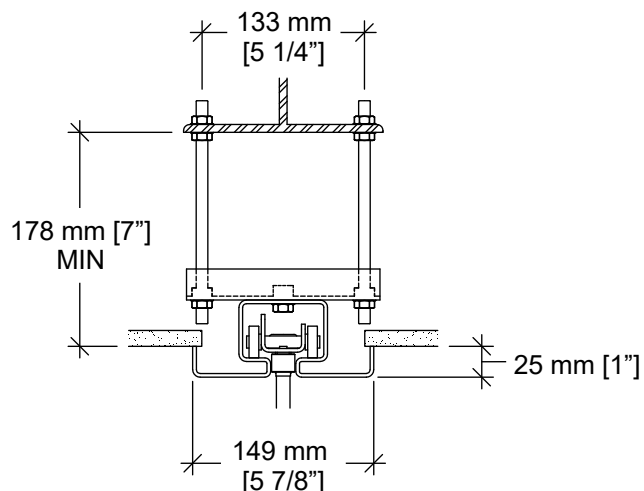
- 1- Telescopic closure panel
- 2- Single pass door
- 3- Self-illuminated exit sign
- 4- Work surface
- 5- Eraser box
- 6- Hinged closure panel

Track Options



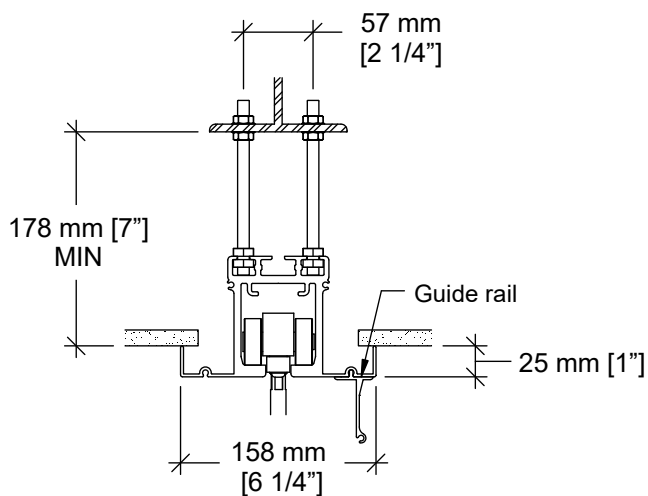
#45-T track with optional hanger bracket

Hanger bracket required for installations where the topmost nuts cannot be used for adjustment.



#72 steel track with hanger bracket

Optional for partitions up to 4648 mm [15'-3"].

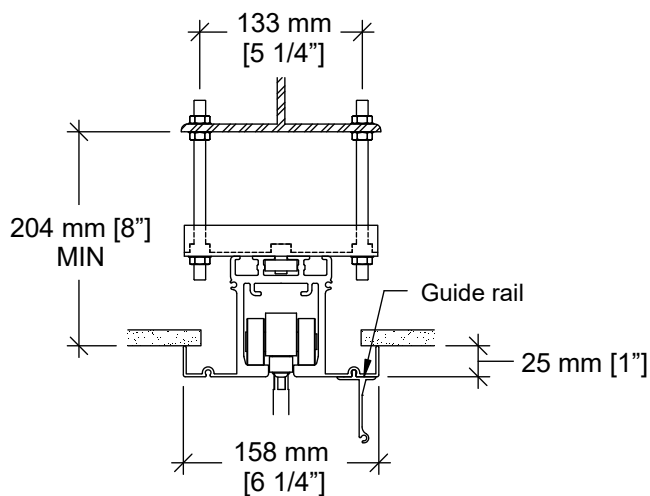


#55-T aluminum track (#53 trolley)

Standard for partitions from a height of 4648 mm [15'-3"] up to 6780 mm [22'-3"].

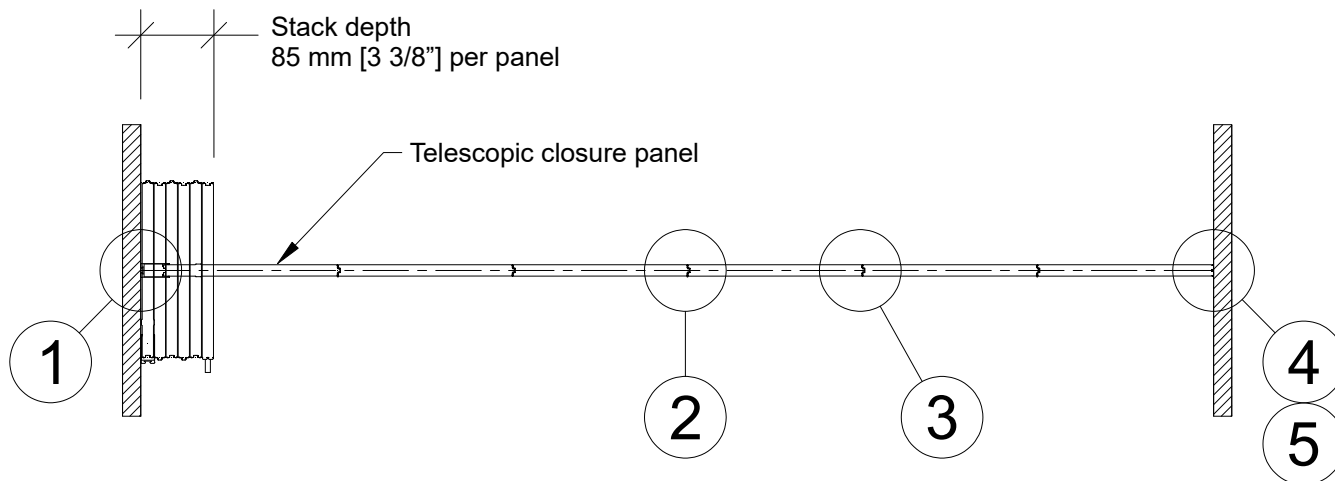
Optional for partitions up to 4648 mm [15'-3"].

Guide rail required for partitions over 4648 mm [15'-3"].

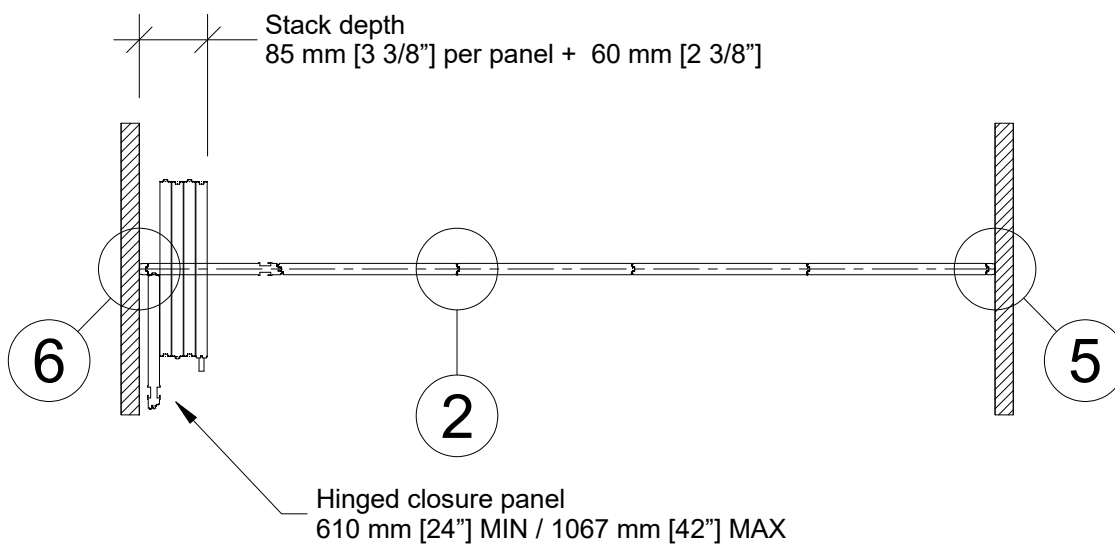


#55-T aluminum track (#53 trolley) with optional hanger bracket

Plan View

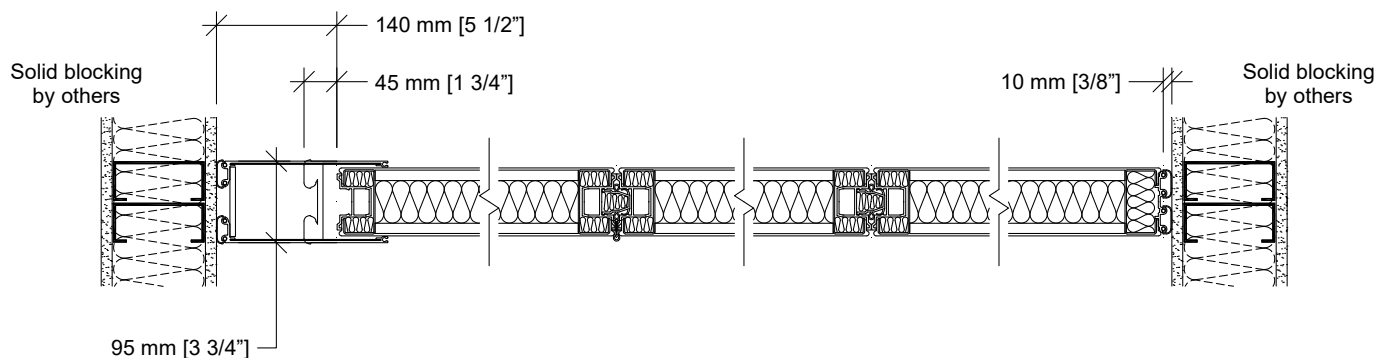


Telescopic closure panel



Hinged closure panel

Horizontal Sections

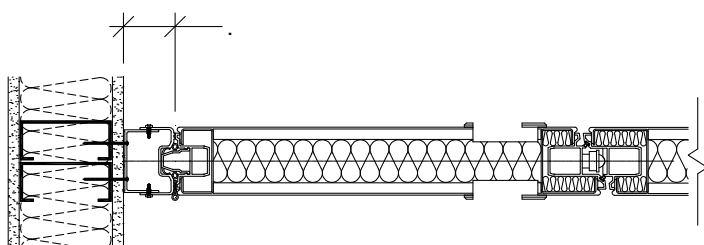


1 Telescopic closure

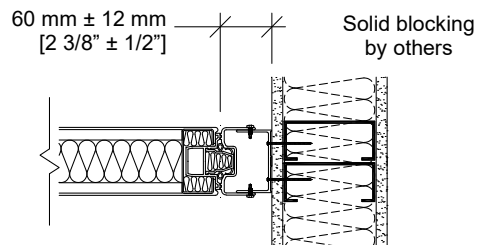
2 Hinged panel joint

3 Panel joint

4 Bulb seal

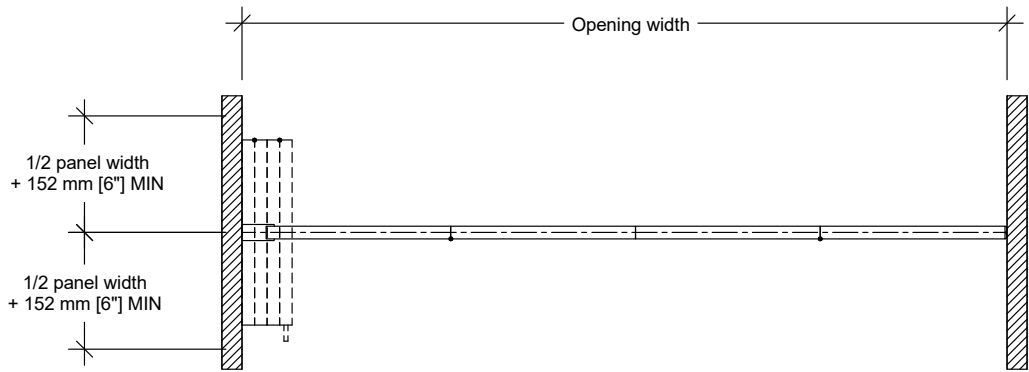


6 Hinged closure

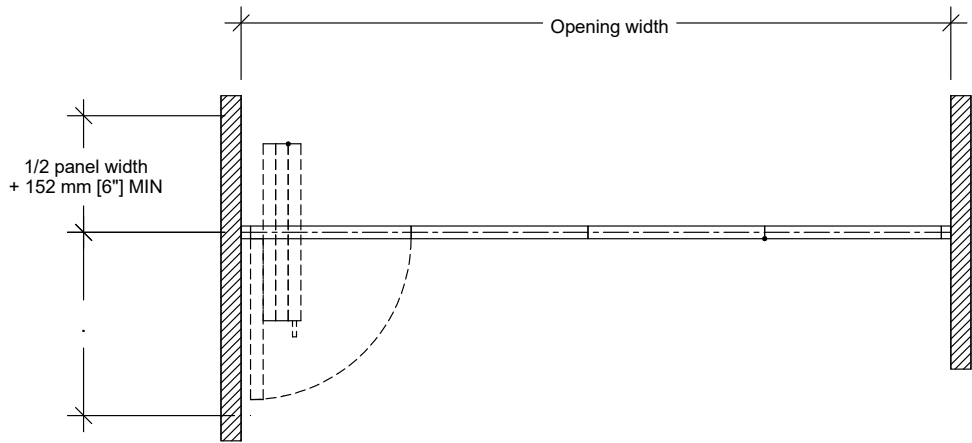


5 Wall jamb (optional)

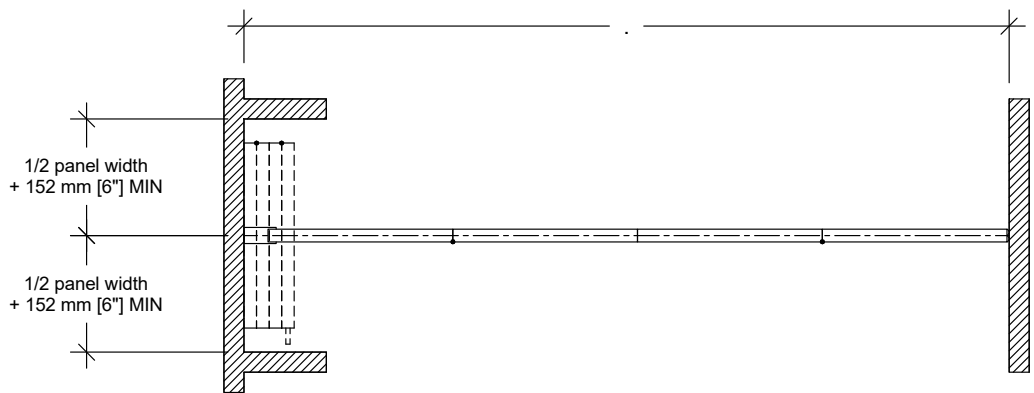
Typical Layouts



Wall to wall – telescopic closure

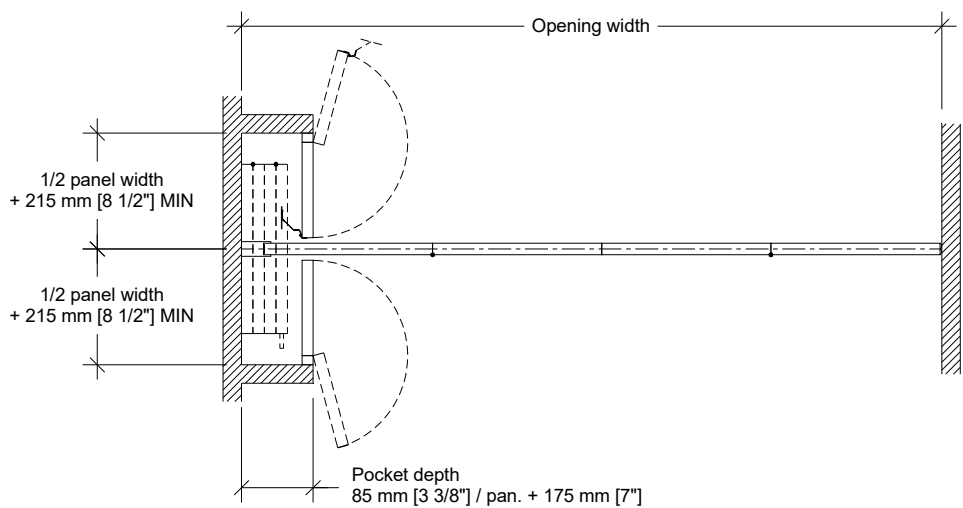


Wall to wall – hinged closure

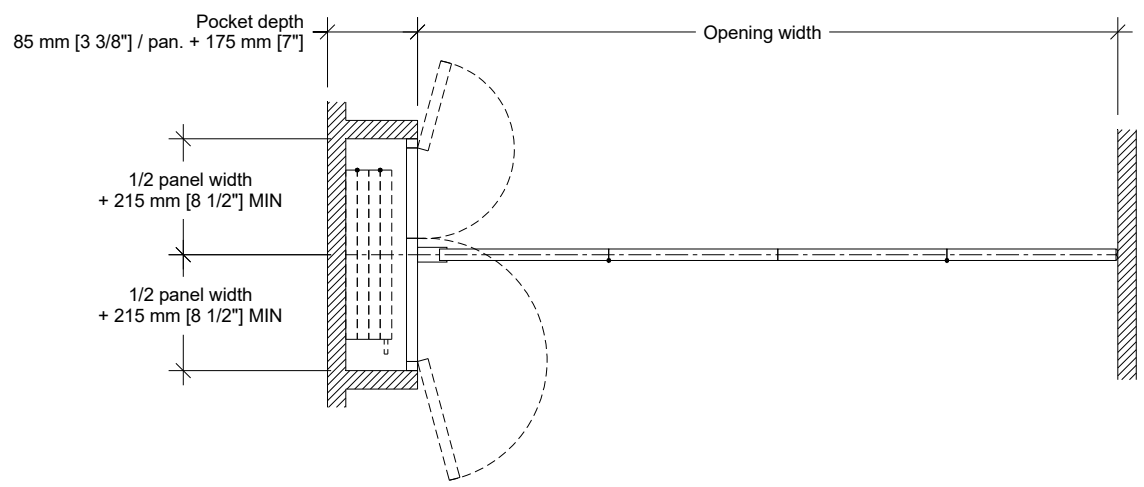


Pocket

Typical Layouts (cont'd)



**Pocket and PN-73 non-acoustical pocket door
(partition seals to back of pocket)**



**Pocket and PA-72 acoustical pocket door
(partition seals to face of pocket door)**